



# **RADIX PRO 76mm RF140 Ground Screws**

---

## **TRADE PRICE LIST**



# RADIX Product Price List

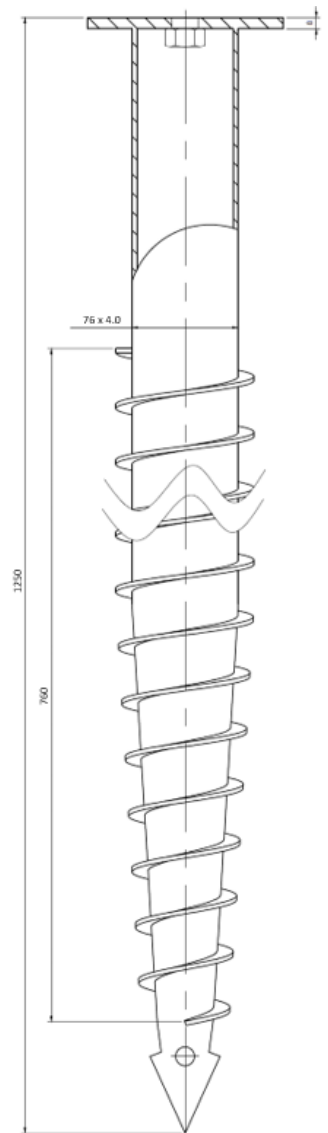
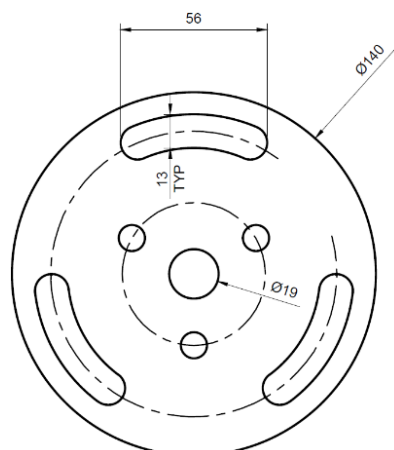
## Professional Range

SKU	Product Description	O/A Length	Weight	Load Capacity	Qty per Pallet	List Price
<b>76mm Dia / 140mm Flange</b>						
201T	RDX PRO RF140 M16 76x800-T4.0	800mm	6.73kg	13.5kN*	121	£18.49
202T	RDX PRO RF140 M16 76x1050-T4.0	1050mm	8.66kg	16.5kN*	121	£22.45
203T	RDX PRO RF140 M16 76x1250-T4.0	1250mm	10.17kg	25kN*	121	£26.38
204T	RDX PRO RF140 M16 76x1550-T4.0	1550mm	12.5kg	35kN*	121	£34.09
205T	RDX PRO RF140 M16 76x2050-T4.0	2050mm	17.64kg	45kN*	121	£42.92
517T	RDX 76mm PILE CAP F89X120X5 - H200X8	1300mm	2kg	n/a		£13.56
1508	M16x110 Galv 8.8 Hex Bolt & Nut (20)			n/a		£19.69

All RADIX Professional Ground Screws are galvanised according to BS EN ISO 1461: 2009 for improved long-lasting protection and increased life expectancy. Independent testing and verification documents are available on request.

- Typical Applications: Garden Studios, Modular Builds, Solar Ground Mounts
- All prices are quoted excluding VAT.
- All prices are quoted ex works.
- RADIX Base Systems structural analysis report available on request.
- RADIX Base Systems Ltd are not liable for damage caused by insufficient or incorrect selection of ground screws.

\* Load capacity is determined in soil type, semi-solid loam; RADIX Ground Screws must be selected based on static calculations and results of site-specific ground test.





# RADIX Product Price List

## Ground Screw Fittings

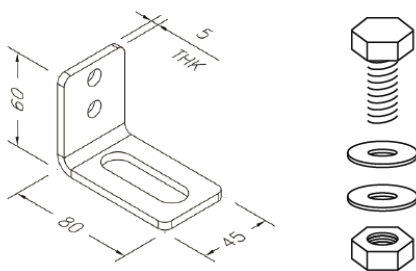
SKU	Product Description	Weight	List Price
1101	RDX FIT HDB 18S 80x60-T4.0 small angle	0.15kg	£2.67
1102	RDX FIT HDB 18S 100x80-T4.0 medium angle	0.35kg	£3.38
1301	RDX FIT SPB 18S 135-T4.0 adjustable side palm	1.3kg	£9.17
1301E	RDX FIT SPB 18S 135-T4.0 adjustable side palm extended	1.3kg	£9.97
1407	RDX FIT LAP 17.5H RF220DIA -T8.0 offset round adapter plate	2.11kg	£5.40
1501	M12x35 ZP Hex Set Screw, round washers and nut (100)		£43.00
1501SQ	M12x35 ZP Hex Set Screw, square washers and nut (100)		£77.00
1503	M16x35 ZP Set Screw Hex Head and washers (50)		£27.50
1504	M16x35 ZP Socket Screw CSK Flat Head (50)		£26.00

At RADIX, as well as having an extensive range of universal fittings readily available to meet your project requirements, we can produce any pattern you require.

Our team will work collaboratively with you through a careful and practical design process and manufacture your bespoke fittings in partnership with our supply chain using state-of-the-art laser and plasma-cutting technologies.

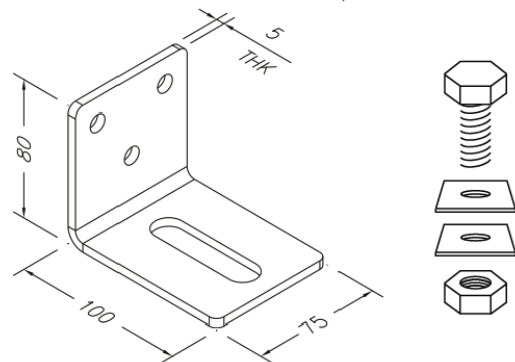
### Small L Bracket

M12x35 ZP Hex Set Screw • M12 Washer (x2) • M12 Nut



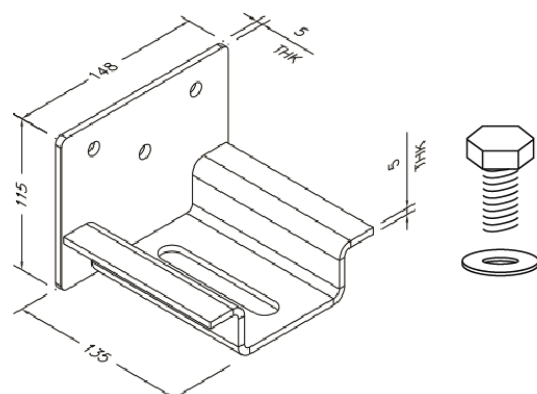
### Medium L Bracket

M12x35 ZP Hex Set Screw • M12 Sq Washer (x2) • M12 Nut



### Palm Bracket

M16x35 ZP Hex Set Screw • M16 Washer



### Round Adapter Plate

M16x35 ZP CSK Socket Screw

